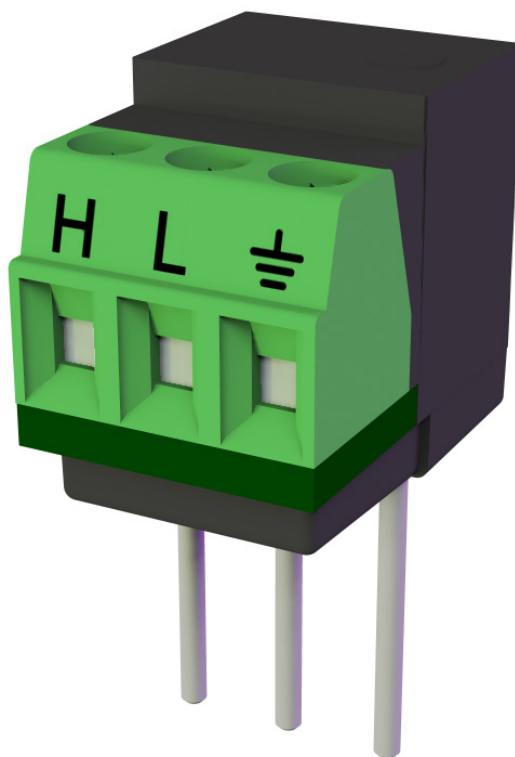




CURS100

100 Ohm Current Shunt
Terminal Input Module



Guarantee

This equipment is guaranteed against defects in materials and workmanship. We will repair or replace products which prove to be defective during the guarantee period as detailed on your invoice, provided they are returned to us prepaid. The guarantee will not apply to:

- Equipment which has been modified or altered in any way without the written permission of Campbell Scientific
- Batteries
- Any product which has been subjected to misuse, neglect, acts of God or damage in transit.

Campbell Scientific will return guaranteed equipment by surface carrier prepaid. Campbell Scientific will not reimburse the claimant for costs incurred in removing and/or reinstalling equipment. This guarantee and the Company's obligation thereunder is in lieu of all other guarantees, expressed or implied, including those of suitability and fitness for a particular purpose. Campbell Scientific is not liable for consequential damage.

Please inform us before returning equipment and obtain a Repair Reference Number whether the repair is under guarantee or not. Please state the faults as clearly as possible, and if the product is out of the guarantee period it should be accompanied by a purchase order. Quotations for repairs can be given on request. It is the policy of Campbell Scientific to protect the health of its employees and provide a safe working environment, in support of this policy a "Declaration of Hazardous Material and Decontamination" form will be issued for completion.

When returning equipment, the Repair Reference Number must be clearly marked on the outside of the package. Complete the "Declaration of Hazardous Material and Decontamination" form and ensure a completed copy is returned with your goods. Please note your Repair may not be processed if you do not include a copy of this form and Campbell Scientific Ltd reserves the right to return goods at the customers' expense.

Note that goods sent air freight are subject to Customs clearance fees which Campbell Scientific will charge to customers. In many cases, these charges are greater than the cost of the repair.



Campbell Scientific Ltd,
80 Hathern Road,
Shepshed, Loughborough, LE12 9GX, UK
Tel: +44 (0) 1509 601141
Fax: +44 (0) 1509 270924
Email: support@campbellsci.co.uk
www.campbellsci.co.uk

About this manual

Please note that this manual was originally produced by Campbell Scientific Inc. primarily for the North American market. Some spellings, weights and measures may reflect this origin.

Some useful conversion factors:

Area: 1 in ² (square inch) = 645 mm ²	Mass: 1 oz. (ounce) = 28.35 g 1 lb (pound weight) = 0.454 kg
Length: 1 in. (inch) = 25.4 mm 1 ft (foot) = 304.8 mm 1 yard = 0.914 m 1 mile = 1.609 km	Pressure: 1 psi (lb/in ²) = 68.95 mb
	Volume: 1 UK pint = 568.3 ml 1 UK gallon = 4.546 litres 1 US gallon = 3.785 litres

In addition, while most of the information in the manual is correct for all countries, certain information is specific to the North American market and so may not be applicable to European users.

Differences include the U.S standard external power supply details where some information (for example the AC transformer input voltage) will not be applicable for British/European use. *Please note, however, that when a power supply adapter is ordered it will be suitable for use in your country.*

Reference to some radio transmitters, digital cell phones and aerials may also not be applicable according to your locality.

Some brackets, shields and enclosure options, including wiring, are not sold as standard items in the European market; in some cases alternatives are offered. Details of the alternatives will be covered in separate manuals.

Part numbers prefixed with a “#” symbol are special order parts for use with non-EU variants or for special installations. Please quote the full part number with the # when ordering.

Recycling information



At the end of this product's life it should not be put in commercial or domestic refuse but sent for recycling. Any batteries contained within the product or used during the products life should be removed from the product and also be sent to an appropriate recycling facility.

Campbell Scientific Ltd can advise on the recycling of the equipment and in some cases arrange collection and the correct disposal of it, although charges may apply for some items or territories.

For further advice or support, please contact Campbell Scientific Ltd, or your local agent.



Campbell Scientific Ltd, 80 Hathern Road, Shepshed, Loughborough, LE12 9GX,
UK Tel: +44 (0) 1509 601141 Fax: +44 (0) 1509 270924
Email: support@campbellsci.co.uk
www.campbellsci.co.uk

Safety

DANGER — MANY HAZARDS ARE ASSOCIATED WITH INSTALLING, USING, MAINTAINING, AND WORKING ON OR AROUND **TRIPODS, TOWERS, AND ANY ATTACHMENTS TO TRIPODS AND TOWERS SUCH AS SENSORS, CROSSARMS, ENCLOSURES, ANTENNAS, ETC.** FAILURE TO PROPERLY AND COMPLETELY ASSEMBLE, INSTALL, OPERATE, USE, AND MAINTAIN TRIPODS, TOWERS, AND ATTACHMENTS, AND FAILURE TO HEED WARNINGS, INCREASES THE RISK OF DEATH, ACCIDENT, SERIOUS INJURY, PROPERTY DAMAGE, AND PRODUCT FAILURE. TAKE ALL REASONABLE PRECAUTIONS TO AVOID THESE HAZARDS. CHECK WITH YOUR ORGANIZATION'S SAFETY COORDINATOR (OR POLICY) FOR PROCEDURES AND REQUIRED PROTECTIVE EQUIPMENT PRIOR TO PERFORMING ANY WORK.

Use tripods, towers, and attachments to tripods and towers only for purposes for which they are designed. Do not exceed design limits. Be familiar and comply with all instructions provided in product manuals. Manuals are available at www.campbellsci.eu or by telephoning +44(0) 1509 828 888 (UK). You are responsible for conformance with governing codes and regulations, including safety regulations, and the integrity and location of structures or land to which towers, tripods, and any attachments are attached. Installation sites should be evaluated and approved by a qualified engineer. If questions or concerns arise regarding installation, use, or maintenance of tripods, towers, attachments, or electrical connections, consult with a licensed and qualified engineer or electrician.

General

- Prior to performing site or installation work, obtain required approvals and permits. Comply with all governing structure-height regulations, such as those of the FAA in the USA.
- Use only qualified personnel for installation, use, and maintenance of tripods and towers, and any attachments to tripods and towers. The use of licensed and qualified contractors is highly recommended.
- Read all applicable instructions carefully and understand procedures thoroughly before beginning work.
- Wear a **hardhat** and **eye protection**, and take **other appropriate safety precautions** while working on or around tripods and towers.
- **Do not climb** tripods or towers at any time, and prohibit climbing by other persons. Take reasonable precautions to secure tripod and tower sites from trespassers.
- Use only manufacturer recommended parts, materials, and tools.

Utility and Electrical

- **You can be killed** or sustain serious bodily injury if the tripod, tower, or attachments you are installing, constructing, using, or maintaining, or a tool, stake, or anchor, come in **contact with overhead or underground utility lines.**
- Maintain a distance of at least one-and-one-half times structure height, or 20 feet, or the distance required by applicable law, **whichever is greater**, between overhead utility lines and the structure (tripod, tower, attachments, or tools).
- Prior to performing site or installation work, inform all utility companies and have all underground utilities marked.
- Comply with all electrical codes. Electrical equipment and related grounding devices should be installed by a licensed and qualified electrician.

Elevated Work and Weather

- Exercise extreme caution when performing elevated work.
- Use appropriate equipment and safety practices.
- During installation and maintenance, keep tower and tripod sites clear of un-trained or non-essential personnel. Take precautions to prevent elevated tools and objects from dropping.
- Do not perform any work in inclement weather, including wind, rain, snow, lightning, etc.

Maintenance

- Periodically (at least yearly) check for wear and damage, including corrosion, stress cracks, frayed cables, loose cable clamps, cable tightness, etc. and take necessary corrective actions.
- Periodically (at least yearly) check electrical ground connections.

WHILE EVERY ATTEMPT IS MADE TO EMBODY THE HIGHEST DEGREE OF SAFETY IN ALL CAMPBELL SCIENTIFIC PRODUCTS, THE CUSTOMER ASSUMES ALL RISK FROM ANY INJURY RESULTING FROM IMPROPER INSTALLATION, USE, OR MAINTENANCE OF TRIPODS, TOWERS, OR ATTACHMENTS TO TRIPODS AND TOWERS SUCH AS SENSORS, CROSSARMS, ENCLOSURES, ANTENNAS, ETC.

Table of Contents

PDF viewers: These page numbers refer to the printed version of this document. Use the PDF reader bookmarks tab for links to specific sections.

1. Introduction.....	1
2. Specifications	2
3. Measurement Concepts	2
3.1 Differential Measurement	3
3.2 Completing the Current Loop Circuit	3
4. Transmitter Wiring.....	4
4.1 Two-Wire Transmitters.....	4
4.1.1 Possible Ground Loop Problems.....	5
4.1.2 Minimum Supply Voltage.....	5
4.2 Three-Wire Transmitters.....	6
4.3 Four-Wire Transmitters.....	7
5. Sensor and Programming Example	8
5.1 Voltage Range.....	8
5.2 Calculating Multiplier and Offset—An Example.....	8
5.3 CR1000X Program Example.....	9
5.4 CR9000(X) Program Example.....	10

Figures

1-1. CURS100 terminal input module	1
2-1. CURS100 schematic	2
3-1. CURS100 L terminal connected to a data logger G terminal using a jumper wire.	4
4-1. 2-wire with data logger power	5
4-2. 2-wire with external power	5
4-3. Voltage drop in a 2-wire transducer with external power	6
4-4. 3-wire with data logger power	6
4-5. 3-wire with external power	7
4-6. 4-wire with data logger power	7
4-7. 4-wire with external power	7

CRBasic Example

5-1. CR1000X Program Example for Sensor with 4 to 20 mA Output	9
--	---

CURS100 100 Ohm Current Shunt Terminal Input Module

1. Introduction

Terminal input modules connect directly to the data logger input terminals to provide completion resistors for resistive bridge measurements, voltage dividers, and precision current shunts. The CURS100 converts a current signal (for example, 4 to 20 mA) to a voltage that is measured by the data logger. The 100-ohm resistor used for the current shunt allows currents up to 50 mA to be read on a ± 5000 mV range (CR6, CR800, CR850, CR1000, CR1000X, CR3000, CR5000, CR9000X, CR9000). The CR300 allows currents up to 25 mA with a -100 to $+2500$ mV range.

NOTE

The CR6 (serial numbers greater than or equal to 7502), CR300-series, and CR1000X data loggers are able to do current measurements directly. While compatible with the CURS100, the CURS100 is not required to convert the current signal to a voltage. For more information, see *CRBasic Editor Help* for the **CurrentSE()** instruction.

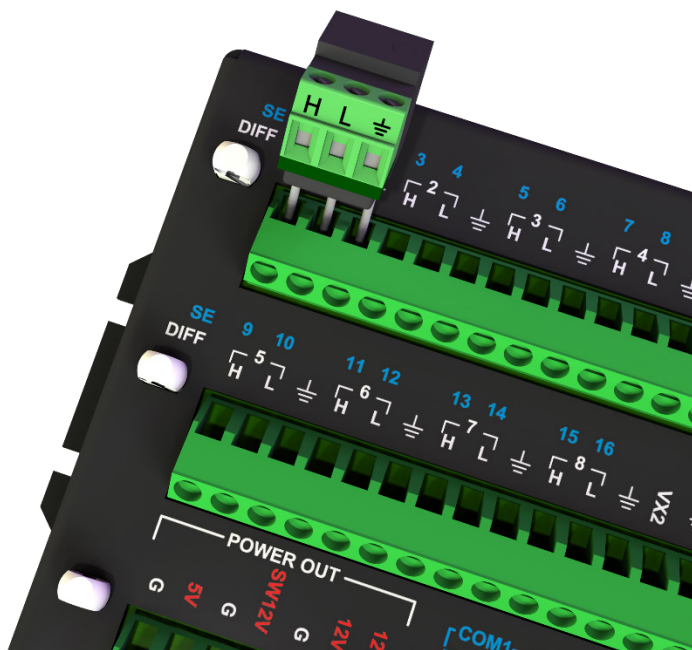


FIGURE 1-1. CURS100 terminal input module

2. Specifications

100 Ohm Shunt Resistor

Tolerance @ 25 °C:	±0.01%
Temperature coefficient:	±0.8 ppm / °C
Power rating:	0.25 W

Compliance: View compliance documents at:
www.campbellsci.eu/curs100

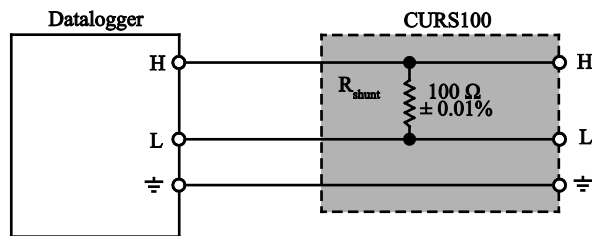


FIGURE 2-1. CURS100 schematic

The CURS100 has three pins: high, low, and ground. These pins have the correct spacing to insert directly into the data logger high, low, and ground terminals (≠ on CR6, CR300, CR800, CR850, CR1000, CR1000X, CR3000, CR5000, or CR9000(X)).

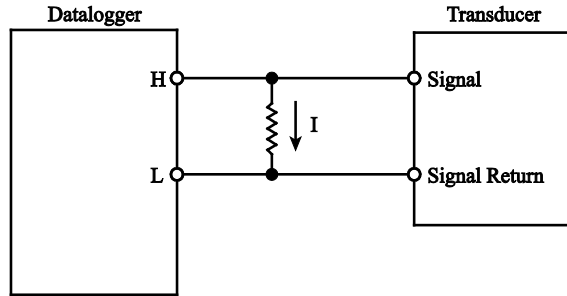
3. Measurement Concepts

Transmitters having current as an output signal consist of three parts: a sensor, a current transmitter (quite often integrated with the sensor), and a power supply. The power supply provides the required power to the sensor and the transmitter. The sensor signal changes with the phenomenon being measured. The current transmitter converts the sensor signal into a current signal. This current signal changes in a known way with the phenomenon being measured.

An advantage of current loop transmitters over voltage output transmitters is the current signal remains constant over long wire lengths.

Current loop transmitters also have disadvantages. Most transmitters require constant current from the power supply, adding cost and size. Also, the conditioned output quality may not be as good as a similar unconditioned sensor being measured directly by a data logger.

The output of the transmitter is wired so the current must flow through the 100-ohm resistor in the CURS100.



Ohm's law describes how a voltage (V) is generated by the signal current (I) through a completion resistor (R):

$$V = I (R)$$

This voltage is measured by the data logger.

3.1 Differential Measurement

The voltage across the completion resistor is measured with the differential voltage measurement. Use **VoltDiff()** for the CRBasic data loggers (for example, CR6, CR1000, CR1000X, CR5000, or CR9000(X)). The differential voltage measurement measures the difference in voltage between the low and high terminals. The CURS100 connects the resistor between the high and the low terminals.

3.2 Completing the Current Loop Circuit

As shown in FIGURE 2-1, the 100 Ω sense resistor in the CURS100 is not connected to the adjacent ground pin that connects into the data logger signal ground (\perp). Hence, an additional connection must be made in order to complete the loop, which is commonly done by connecting the CURS100 L terminal to a data logger **G** (power ground) terminal with a jumper wire (FIGURE 3-1). Connecting the L terminal to the adjacent ground (\perp or **G**) terminal on the CURS100 will result in unwanted return currents flowing into the data logger signal ground (\perp), which could induce undesirable offset errors in low-level, single-ended measurements. The ground (\perp or **G**) terminal on the CURS100 can be used to connect cable shields to ground.

Completing the loop by connecting voltages other than ground is possible as long as the data logger voltage input limits are not exceeded. These input limits specify the voltage range, relative to data logger ground, which both H and L input voltages must be within in order to be processed correctly by the data logger. The input limits are ± 5 V for the CR6, CR800, CR850, CR1000, CR1000X, CR3000, CR5000, and CR9000(X). Hence, when measuring currents up to 50 mA with the CURS100, a connection to data logger ground is necessary in order for the resulting $(50 \text{ mA}) \cdot (100 \Omega) = 5 \text{ V}$ signal to comply with the ± 5 V input limits for the CR6, CR800, CR850, CR1000, CR1000X, CR3000, CR5000, and CR9000(X) data loggers. The CR300 is limited to 25 mA with a -100 to $+2500$ mV range.

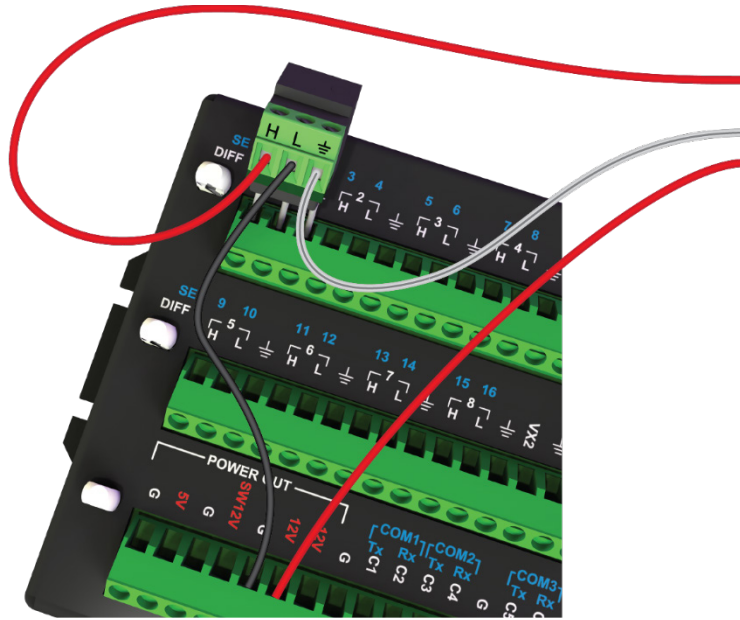


FIGURE 3-1. CURS100 L terminal connected to a data logger G terminal using a jumper wire.

NOTE

Normally the L terminal on the CURS100 should be connected to a data logger G terminal (power ground) with a jumper wire (FIGURE 3-1). Connecting the L terminal to the adjacent ground (\perp or G) terminal on the CURS100 can result in unwanted return currents on the data logger signal ground, which could induce undesirable offset errors in low-level, single-ended measurements. The G terminal on the CURS100 can be used to connect cable shields to ground.

4. Transmitter Wiring

Current transmitters differ mainly in how they are powered and in the relative isolation of the current output. This section groups the transmitters by the total number of wires the transmitter uses to obtain power and output the current.

4.1 Two-Wire Transmitters

In a two-wire transmitter, the power supply is in series within the current loop. The transmitter regulates the amount of current that flows; the current drawn from the battery is exactly the current used as a signal.

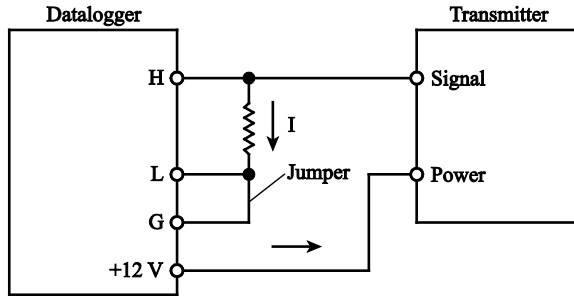


FIGURE 4-1. 2-wire with data logger power

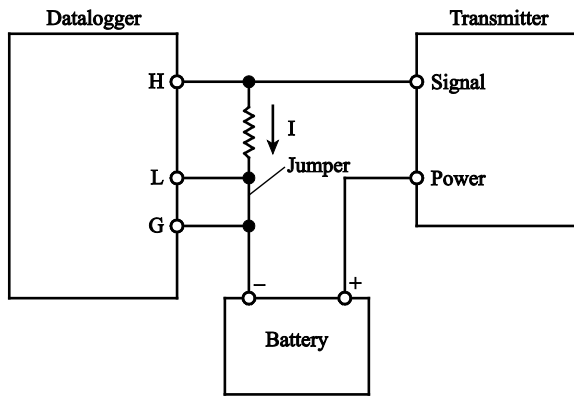


FIGURE 4-2. 2-wire with external power

4.1.1 Possible Ground Loop Problems

The resistor must be grounded at the data logger to ensure that measurements are within common mode range. The signal (or low) output on the transmitter is higher than the data logger ground by the voltage drop across the resistor. A ground-loop error may occur if the signal output is not electrically isolated but is connected to the sensor case. If such a sensor is in contact with earth ground (for example, a pressure transmitter in a well or stream), an alternative path for current flow is established through earth ground to the data logger earth ground. This path is in parallel with the path from the signal output through the resistor; hence, not all the current will pass through the resistor and the measured voltage will be too low.

4.1.2 Minimum Supply Voltage

When the power supply is in the current loop, as is the case in a 2-wire transmitter, it is necessary to consider the effect of voltage drop across the resistor on the voltage applied to the transmitter.

For example, suppose a 4 to 20 mA transmitter requires at least 9 volts to operate correctly and the system is powered by a 12-volt battery. The voltage the transmitter sees is the battery voltage minus the voltage drop in the rest of the current loop. At 20 mA output, the voltage drop across the 100 ohm resistor is 2 volts. When the battery is at 12 volts, this leaves 10 volts for the

transmitter and everything is fine. However, if the battery voltage drops to 11 volts, a 20-mA current will leave just 9 volts for the transmitter. In this case, when the battery drops below 11 volts, the output of the transmitter may be in error.

FIGURE 4-3 illustrates how the voltage available to a transducer (C) is directly related to the voltage available from the battery (A).

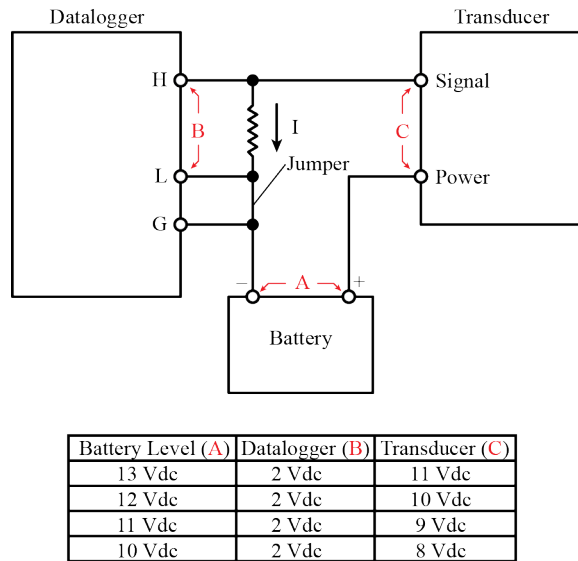


FIGURE 4-3. Voltage drop in a 2-wire transducer with external power

4.2 Three-Wire Transmitters

A three-wire current loop transmitter has the power supply connected directly to the transmitter. The voltage of the power supply is the voltage applied to the transmitter. The current output returns to power ground. Data logger ground is connected to sensor ground and the current output by the sensor must pass through the resistor before going to ground.

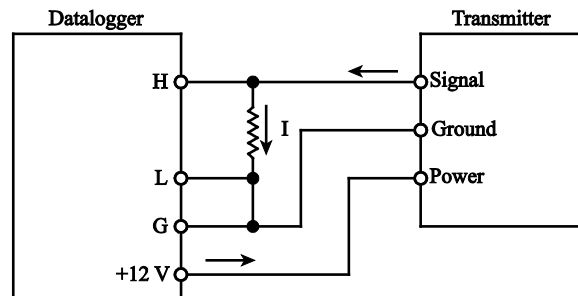


FIGURE 4-4. 3-wire with data logger power

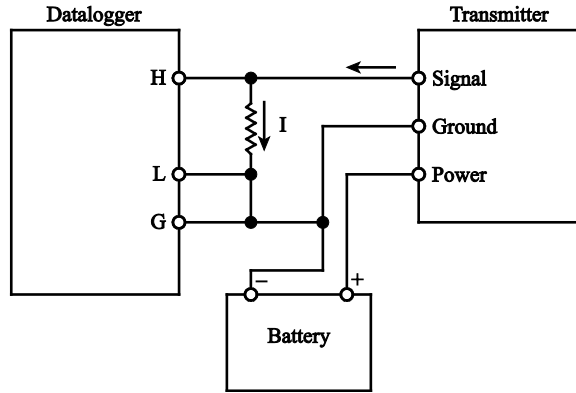


FIGURE 4-5. 3-wire with external power

4.3 Four-Wire Transmitters

A four-wire transmitter has separate wires for power input and ground and for signal output and ground. The signal ground may or may not be internally tied to the power ground. Some transmitters have completely isolated outputs.

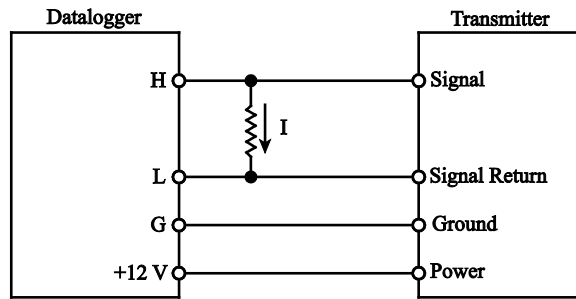


FIGURE 4-6. 4-wire with data logger power

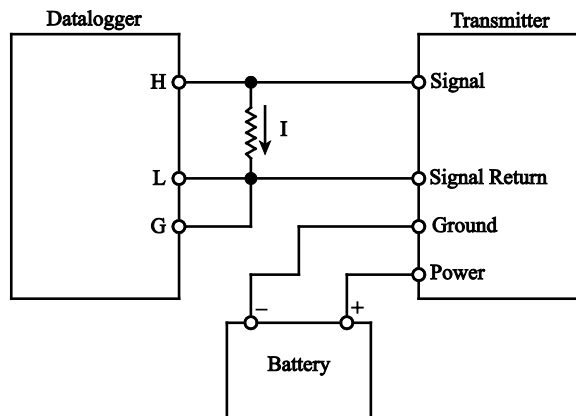


FIGURE 4-7. 4-wire with external power

5. Sensor and Programming Example

In this example, the input voltage range, and the multiplier and offset values are calculated for a 4 to 20 mA output pressure transmitter. Examples showing the differential measurement made on Terminal 1 are then given for the CR1000X and CR9000(X) data loggers; programming for the CR6, CR300, CR800, CR850, CR1000, CR3000, and CR5000 is virtually identical to the CR1000X.

5.1 Voltage Range

Select the smallest voltage range that encompasses the maximum output signal from the sensor. Using the smallest possible range will provide the best resolution.

The voltage across the resistor, V , is equal to the resistance (100 ohms) multiplied by the current, I .

$$V = 100 I$$

The maximum voltage occurs at the maximum current. Thus, a 4 to 20 mA transmitter will output its maximum voltage at 20 mA.

$$V = 100 \text{ ohms} \cdot 0.02 \text{ A} = 2 \text{ V}$$

An output of 2 volts is measured on the ± 2500 mV range on the CR800, CR850, and CR1000 or on the ± 5000 mV range on the CR6, CR1000X, CR3000, CR5000, or CR9000(X). The 2 volt output is measured on the -100 to $+2500$ mV range of the CR300.

5.2 Calculating Multiplier and Offset—An Example

The multiplier and the offset are the slope and y-intercept of a line and are computed with Ohm's law and a linear fit.

For example, measure a current loop transmitter that detects pressure where the sensor specifications are as follows:

Transmitter range – 200 to 700 psi

Transmitter output range – 4 to 20 mA

The transmitter will output 4 mA at 200 psi and 20 mA at 700 psi. Using Ohm's law, the voltage across the resistor at 200 psi is:

$$V = I \cdot R$$

$$V = 0.004 \cdot 100$$

$$V = 0.4 \text{ V or } 400 \text{ mV}$$

and at 700 psi is:

$$V = 0.020 \cdot 100$$

$V = 2.0 \text{ V}$ or 2000 mV

Since the data logger measures in mV, the multiplier (or slope) must be in units of psi/mV. Therefore, the y values have the units psi and the x values mV.

The equation of a line is:

$$(y - y_1) = m (x - x_1)$$

Solve the equation for m that is the slope of the line (or multiplier).

$$m = \frac{700 \text{ psi} - 200 \text{ psi}}{2000 \text{ mV} - 400 \text{ mV}} = 0.3125 \frac{\text{psi}}{\text{mV}}$$

Now replace the known values to determine the intercept (or offset). Where $y = m(x) + b$

$$200 \text{ psi} = 0.3125 \frac{\text{psi}}{\text{mV}} \times 400 \text{ mV} + b$$

$$b = 200 - 0.3125 \times 400 = 75 \text{ psi}$$

$m = \text{multiplier (slope)} = 0.3125$ and

$b = \text{the offset (intercept)} = 75.0$.

5.3 CR100X Program Example

CRBasic Example 5-1. CR100X Program Example for Sensor with 4 to 20 mA Output

```
'CR100X Series
'CR100X program example for sensor with 4-20 mA output.
'Assuming a flow meter that outputs a 4-20mA signal representing 0 - 100 gal/min,
'the voltage across the resistor at 0 gal/min = 4mA * 100 ohms = 400mV,
'and at 100 gal/min is 20mA * 100 ohms = 2000mV. The change in mV is
'2000mV - 400mV = 1600mV for 0 - 100 gal/min flow rate.
'The measurement result (X) for the VoltDiff instruction is mV. The
'multiplier to convert mV to gal/min is: mV * 100gal/min / 1600mV = 0.0625,
'the offset = 0 - 400mV * 0.0625 = -25.0

'Declare Variables and Units
Public BattV
Public PTemp_C
Public Measure

Units BattV=Volts
Units PTemp_C=Deg C
Units Measure=mV

'Define Data Tables
DataTable(Hourly,True,-1)
  DataInterval(0,60,Min,10)
  Average(1,Measure,IEEE4,False)
EndTable

DataTable(Daily,True,-1)
  DataInterval(0,1440,Min,10)
  Minimum(1,BattV,FP2,False,False)
EndTable
```

```
'Main Program
BeginProg
'Main Scan
Scan(5,Sec,1,0)
'Default CR1000X Data Logger Battery Voltage measurement 'BattV'
Battery(BattV)
'Default CR1000X Data Logger Wiring Panel Temperature measurement 'PTemp_C'
PanelTemp(PTemp_C,60)
'Generic 4-20 mA Input measurement 'Measure'
VoltDiff(Measure,1,mV2500,1,True,0,60,0.0625,-25)
'Call Data Tables and Store Data
CallTable Hourly
CallTable Daily
NextScan
```

5.4 CR9000(X) Program Example

CRBasic Example 5-1 will work with the CR9000(X) data logger with one small change. Insert the following **VoltDiff()** command in place of the **VoltDiff()** command in the program. The program will now function with the CR9000(X). This program assumes the analogue input module is installed in slot 5 for this example.

```
VoltDiff (Measure,1,mV5000,5,1,1,0,0,0.3125,75)
```



Global Sales & Support Network

A worldwide network to help meet your needs



Campbell Scientific Regional Offices

Australia

Location: Garbutt, QLD Australia
Phone: 61.7.4401.7700
Email: info@campbellsci.com.au
Website: www.campbellsci.com.au

Brazil

Location: São Paulo, SP Brazil
Phone: 11.3732.3399
Email: vendas@campbellsci.com.br
Website: www.campbellsci.com.br

Canada

Location: Edmonton, AB Canada
Phone: 780.454.2505
Email: dataloggers@campbellsci.ca
Website: www.campbellsci.ca

China

Location: Beijing, P. R. China
Phone: 86.10.6561.0080
Email: info@campbellsci.com.cn
Website: www.campbellsci.com.cn

Costa Rica

Location: San Pedro, Costa Rica
Phone: 506.2280.1564
Email: info@campbellsci.com
Website: www.campbellsci.com

France

Location: Vincennes, France
Phone: 0033.0.1.56.45.15.20
Email: info@campbellsci.fr
Website: www.campbellsci.fr

Germany

Location: Bremen, Germany
Phone: 49.0.421.460974.0
Email: info@campbellsci.de
Website: www.campbellsci.de

India

Location: New Delhi, DL India
Phone: 91.11.46500481.482
Email: info@campbellsci.in
Website: www.campbellsci.in

South Africa

Location: Stellenbosch, South Africa
Phone: 27.21.8809960
Email: sales@campbellsci.co.za
Website: www.campbellsci.co.za

Spain

Location: Barcelona, Spain
Phone: 34.93.2323938
Email: info@campbellsci.es
Website: www.campbellsci.es

Thailand

Location: Bangkok, Thailand
Phone: 66.2.719.3399
Email: info@campbellsci.asia
Website: www.campbellsci.asia

UK

Location: Shepshed, Loughborough, UK
Phone: 44.0.1509.601141
Email: sales@campbellsci.co.uk
Website: www.campbellsci.co.uk

USA

Location: Logan, UT USA
Phone: 435.227.9120
Email: info@campbellsci.com
Website: www.campbellsci.com